

June 25, 2026

GoMax NX End of Life Notice

With the introduction of the **GoMax® ORIN** Smart Vision Accelerator in December 2024, **GoMax NX has entered End-of-Life (EOL) status**, effective immediately. Firmware support for GoMax NX will be limited to **Gocator 6.5** and **GoPxL 1.5**. All subsequent firmware releases will support **GoMax ORIN only**.

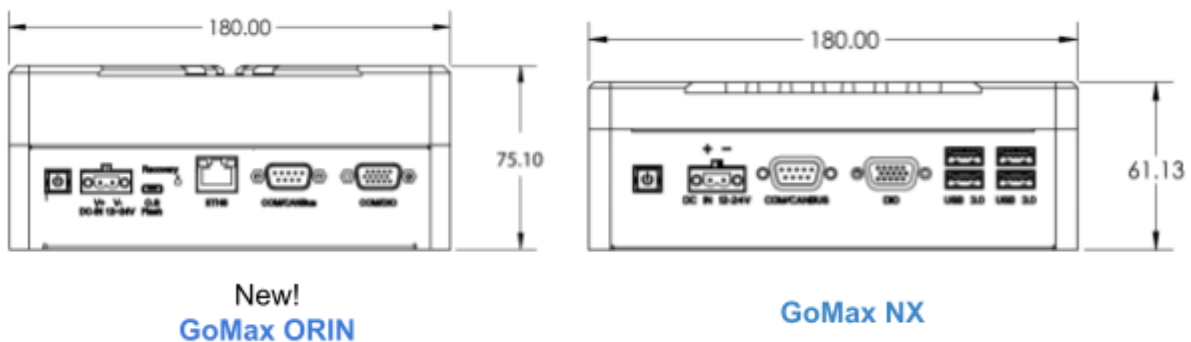
LMI encourages all users to migrate current and future applications to the GoMax ORIN platform.

Powered by the **NVIDIA® Jetson Orin NX™** module, GoMax ORIN delivers a major leap in edge AI performance with **157 TOPS**, **1024 CUDA® cores**, and **32 Tensor Cores**. Additional enhancements include two extra Ethernet ports, significantly increased memory, and expanded hardware capabilities designed to support future machine vision applications.

When transitioning from the GoMax NX to the GoMax ORIN, there are two important considerations:

1. Hardware Package Change

The footprint of the GoMax ORIN in length and width is identical to the GoMax NX. However, the GoMax ORIN is approximately 14mm higher than the GoMax NX.



2. Firmware Compatibility and Performance Changes

The GoMax ORIN requires Gocator firmware version 6.4 or higher, or GoPxL version 1.1.51 or higher, and will be supported by future firmware releases. This firmware upgrade is

designed to be seamless, with existing job files and SDK programs remaining compatible with the new firmware.

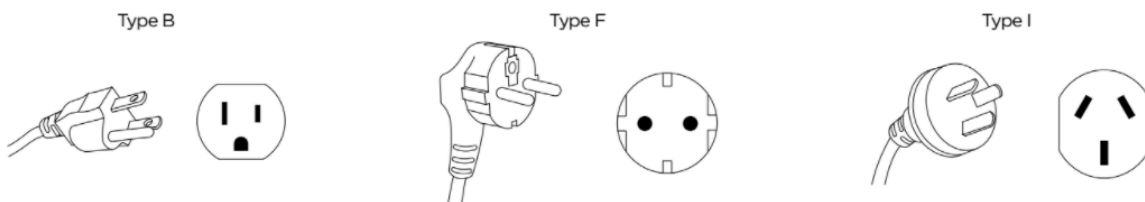
While the GoMax ORIN offers powerful performance upgrades with >7x improvement in GPU-based processing, the processing improvement in applications with traditional CPU-based Gocator measurement tools may be less apparent. In all cases users can expect their current applications to run at the same or greater speed with the GoMax ORIN.

New Part Numbers and End of Service

LMI encourages all existing and future orders to transition immediately to the replacement GoMax ORIN as crucial components for the GoMax NX are no longer available. As we shift our focus to the GoMax ORIN platform, LMI will not be able to take any new orders for GoMax NX.

LMI has reserved a limited number of components to support service of existing LMI units, with an estimated End of Service (EOS) date provided below.

GoMax NX	End of Service (Estimated)	Replacement GoMax ORIN
301225 KIT, GoMax NX, Plug Type B	December 31, 2026	301284 KIT, GoMax ORIN, Plug Type B
301223 KIT, GoMax NX, Plug Type F	December 31, 2026	301282 KIT, GoMax ORIN, Plug Type F
301224 KIT, GoMax NX, Plug Type I	December 31, 2026	301283 KIT, GoMax ORIN, Plug Type I



Note: The warranty period on repaired devices ends on the End of Service date indicated above.



The above information is effective immediately. If you have any questions, please contact contact@lmi3d.com or your LMI account manager.